

simon
Since 1916 From Barcelona

Simon | Smart

 **Easy switch to smart life**
Easy replace conventional switch



E3 smart
Naturalness Simplicity



APP control



Voice control



Wall switch



Automation

Download the app in:



Google Play



App store



1. App control/Easy operation

Remote control on/off, Timer setting, Indicator setting (switch status and switch position)



2. Voice control/Hands-free control

Works with Google home, Amazon Alexa and Siri

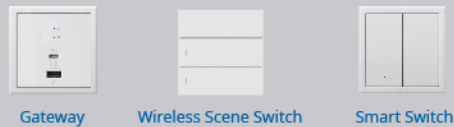
"Hey Google, turn off the bedroom lights"

"Hey Google, turn off the curtain in the living room"



3. Wall control/Scene setting

Gateway + Wireless scene switch(enable replace conventional 2-way switch) + Smart switch(no neutral)=2-way control



Wireless scene switch has no space limitation: Wall | Stick Table | Layout Handheld | Remote control

4. Automation setting/Personalized smart scene

It automatically lights up when it detects the moving objects. Care for children sleeping at night.

Set tap-to-run to create a scene "Welcome Home" to turn on all the lights and close the curtain.



Smart Easy switch E3- No neutral

- No extra wiring, retrofit in original 86 wall box
 - Same wiring method with traditional switch
 - Safety and reliable hardware
- ZigBee 3.0 | Customized Antenna | TV-8 Relay
- Remote control on/off, Timer setting, Indicator setting, Scenario and automation



Product Parameter



30E831TY

1 Gang Smart Easy Switch



30E832TY

2 Gang Smart Easy Switch

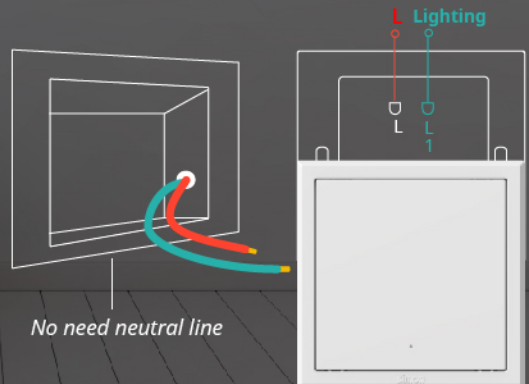


30E833TY

3 Gang Smart Easy Switch

Basic Parameters

- Support 1/2/3 Gang
- Multi colors optional: white / grey / black / champagne
- Communication: ZigBee
- Voltage: 250V~50/60Hz
- Max Load: 200W per Gang
- Min Load: 3W



Wireless remote scene switch

- 2 way control: with Smart no-neutral switch can achieve 2-way control
- Scene switch: 6 custom buttons support user-defined scenarios (Welcome home /Movie time etc.)
- No space limitation: Wiring-free, 3M glue, stick-free

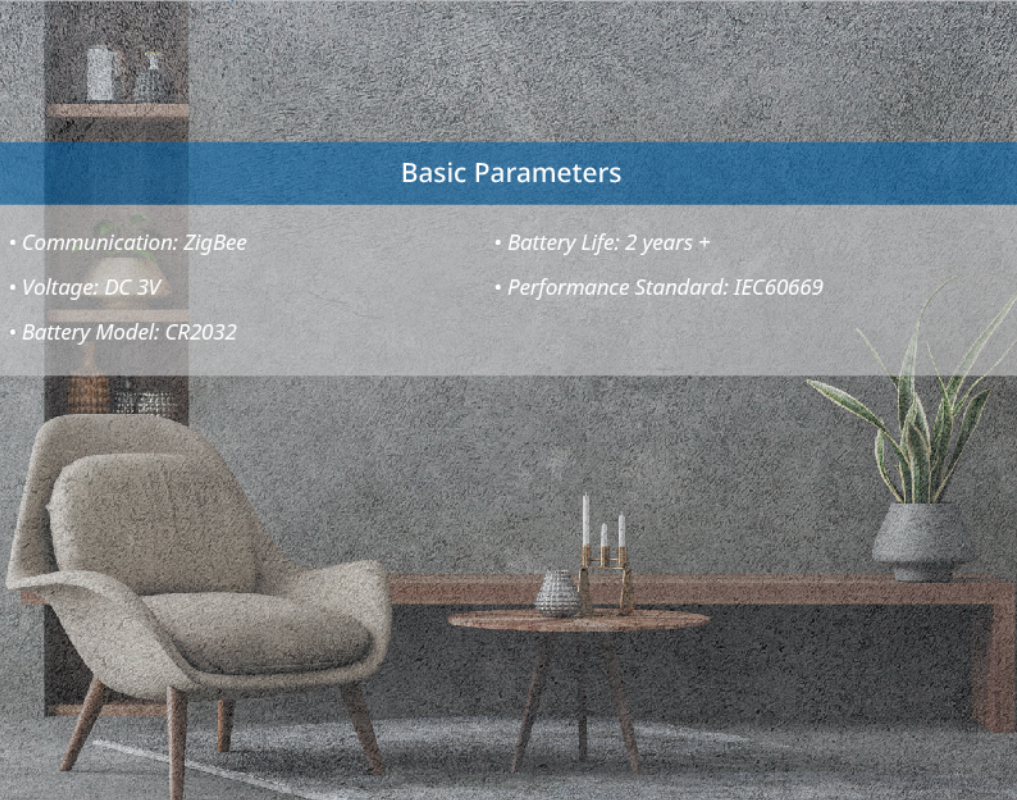


Product Parameter

Code	Description
681820TY-26	6 Gang Remote Control Scene Switch (matt black)
681820TY	6 Gang Remote Control Scene Switch

Basic Parameters

- Communication: ZigBee
- Voltage: DC 3V
- Battery Model: CR2032
- Battery Life: 2 years +
- Performance Standard: IEC60669



USB A+C Gateway integrated

- *Easy to install: replace traditional socket to smart gateway*
- *Support max 20W Quick charge + Zigbee3.0 Smart gateway*
- *Integrate with Simon Smart system: Support 20 ZigBee devices*
- *Type A+C Dual USB Port: no need adaptor for charging*
- *Safety and reliable: over-temperature, overload and short circuit protection function*



Wall-mounted Smart Gateway



Product Parameter

Code	Description
55E761TY	Smart ZigBee Wall-mounted USB A+C Gateway(WiFi)

Basic Parameters

- *Communication: Wi-Fi/ZigBee*
- *Power: 250V~50/60Hz*
- *Rated Current: ≤ 0.5 A*
- *USB Charge: Type A + Type C*
- *USB Output: Dual 5V=3A Max*
Single 5V=3A, 9V=2.22A, 12V=1.67A
- *USB Power Adapter Standard: IEC60669*



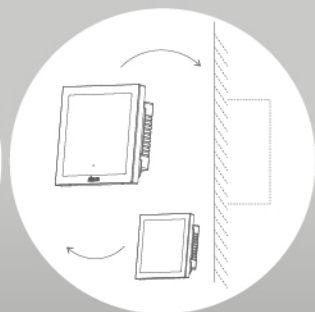
Easy switch to smart life



Step 1.

- Replace a traditional socket with wall mounted smart gateway

- Connect the gateway to internet by Wi-Fi



Step 2.

- Replace a traditional switch to smart easy switch (no need neutral line)

- Add the smart easy switch to gateway



Step 3.

- APP control



Step 4.

- Voice control

- Link Simon Smart app with Google Home/Amazon Alexa

Contact Simon partners for more smart home devices



Smart Camera 20/30



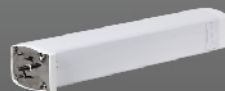
Smart Lock LK33



Smart IR Controller



Smart Adaptor



Smart Curtain Motor



Smart Downlight



Smart Bulb



Smart Spotlight



Smart PIR Motion Sensor



Smart Door Sensor

simon

Barcelona · Madrid · Belo Horizonte · Sao Paulo · Brussels · Buenos Aires · Casablanca · Lima · Lisbon · Mexico D. F. · Moscow · New Delhi · Turin · Warsaw · Oslo · Bucharest · Shanghai · Hanoi · Jakarta



Website